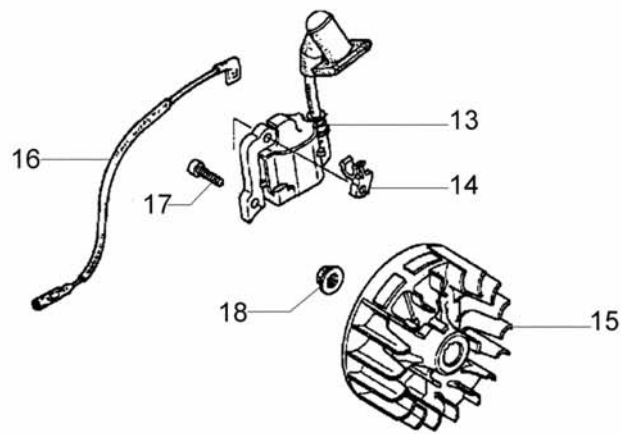
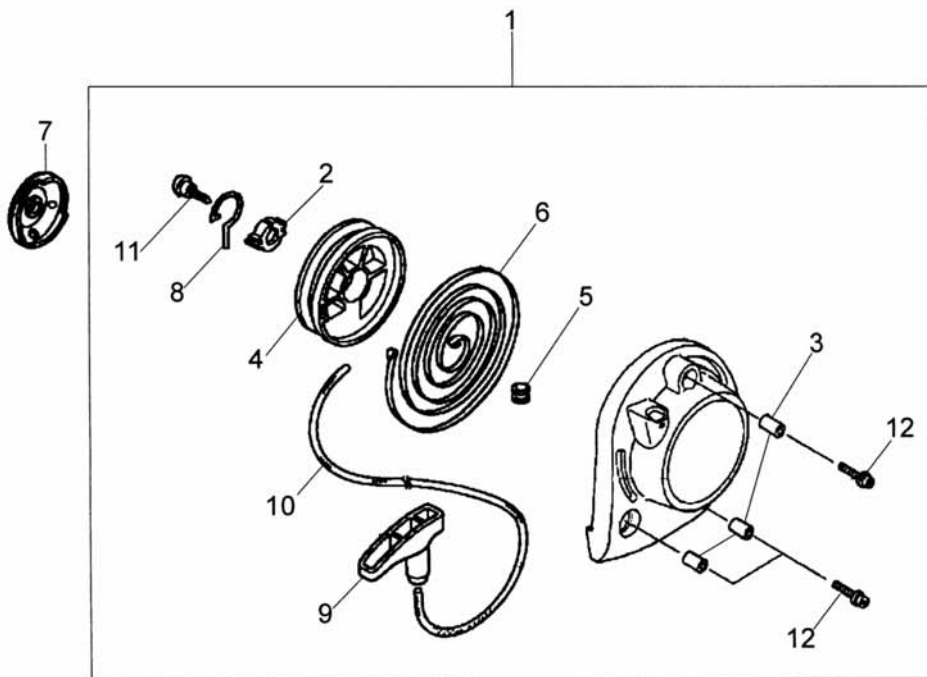
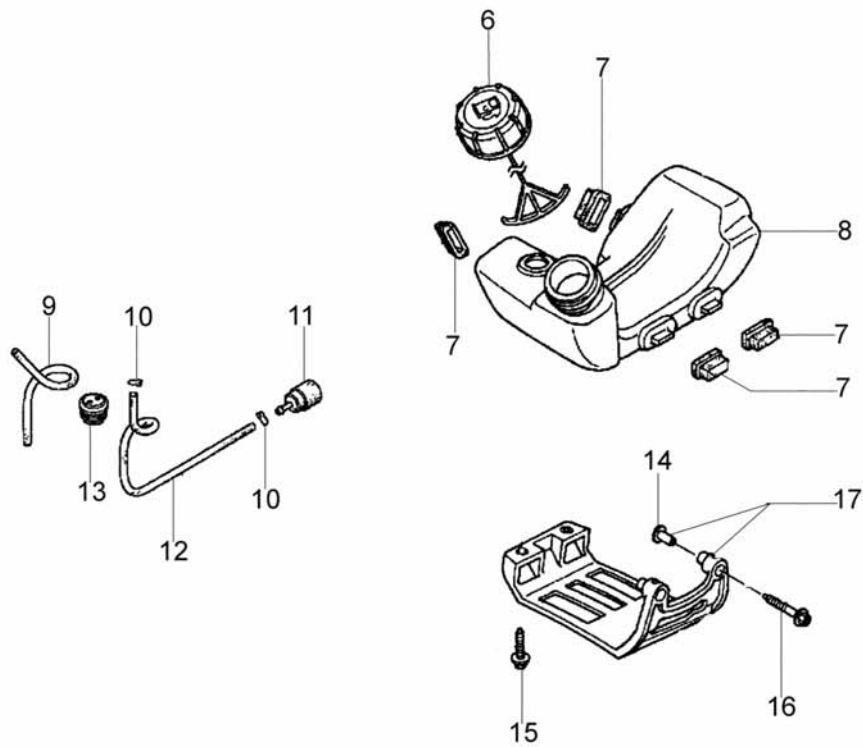
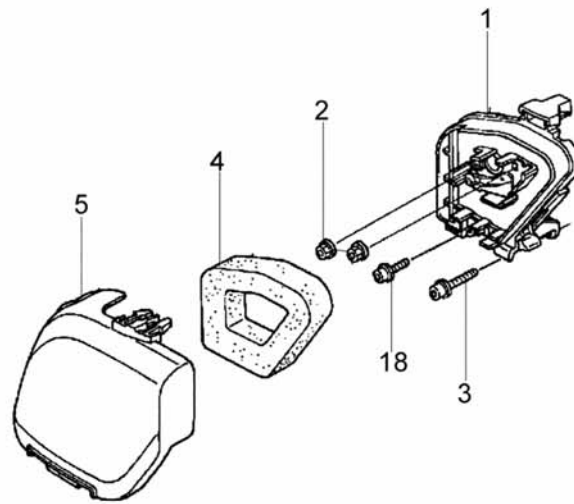


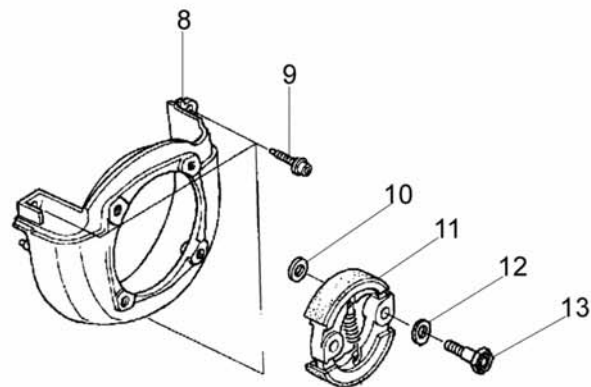
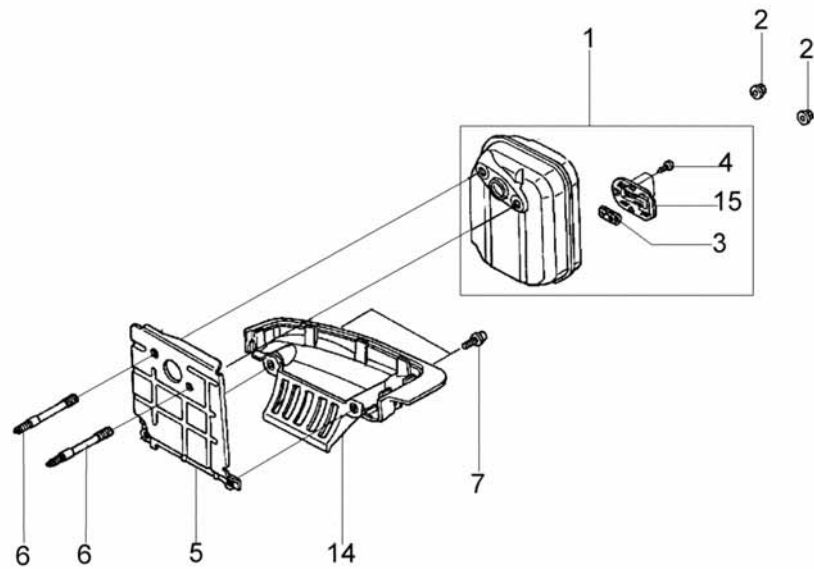
Ref.Nu	Qty	Part number	Description	Validity from	Validity till	Notes	Bulletin
1	1	H10100Z3F405	Crankcase				
2	1	H12310Z0Z000	Cover				
3	1	H12312Z0Z300	Gasket				
4	1	H12314Z0H300	Grommet				
5	1	H12367Z0H000	Breather				
6	1	H14431Z0H003	Arm				
7	1	H14441Z0H003	Arm				
8	1	H14730Z0Z000	Lifter				
9	1	H14740Z0Z000	Lifter				
10	1	H15422Z0Z000	Oil tube				
11	1	H15510Z3E000	Valve				
12	1	H15600Z3F000	Cap				
13	1	H15625Z0T800	Gasket				
14	1	H15721Z0Z000	Tube				
15	1	H31915Z0H003	Spark plug				
16	2	H90009Z0H003	Bolt				
17	4	H90010Z0Z003	Bolt				
18	2	H90013Z0H004	Screw				
19	2	H90013Z0Z003	Screw				
20	2	H90017Z0H000	Screw				
21	2	H90019Z0H003	Screw				
22	2	H90206ZM3000	Bolt				
23	1	H9430540102	Pin				
24	1	H950024120008	Clamp				
25	1	H950024130004	Clamp				
26	1	H13010ZM5000	Piston rings				
27	1	H13101Z0Z000	Piston				
28	1	H13111ZM5000	Piston pin				
29	1	H13310Z0Z000	Crankshaft				
30	1	H91212Z3E000	Seal ring				
31	1	H91214Z3F000	Seal ring				
32	1	H12209Z3E000	Seal ring				
33	1	H14126Z0Z003	Roller				
34	1	H14320Z0Z000	Pulley				
35	1	H14400Z0Z003	Belt				
36	1	H14711Z0Z800	Valve				
37	1	H14721Z0Z800	Valve				
38	2	H14751Z0Z000	Spring				
39	2	H14771Z0H000	Clamp				
40	1	H90015ZH0003	Screw				
41	1	H19720Z0Z000ZC	Cover				



Ref.Nu	Qty	Part number	Description	Validity from	Validity till	Notes	Bulletin
1	1	H28400Z0Z003	Starter assy				
2	1	H91504ZM3003	Collar				
3	3	H91506ZM3000	Bushing				
4	1	H28421ZM3003	Pulley				
5	1	H28433ZM3003	Bushing				
6	1	H28442ZM3003	Spring				
7	1	H28451Z0H003	Pulley				
8	1	H28459Z0H003	Spring fork				
9	1	H28461ZM3003	Handle				
10	1	H28462ZM3003	Rope				
11	1	H90012ZM3003	Screw				
12	3	H90018Z0H003	Screw				
13	1	H30500Z3F003	Bobina				
14	3	H91506ZM3000	Bushing				
15	1	H31110Z3F003	Rotor				
16	1	H32195Z0Z000	Cable				
17	2	H90012Z0H005	Screw				
18	1	H9405008000	Nut				

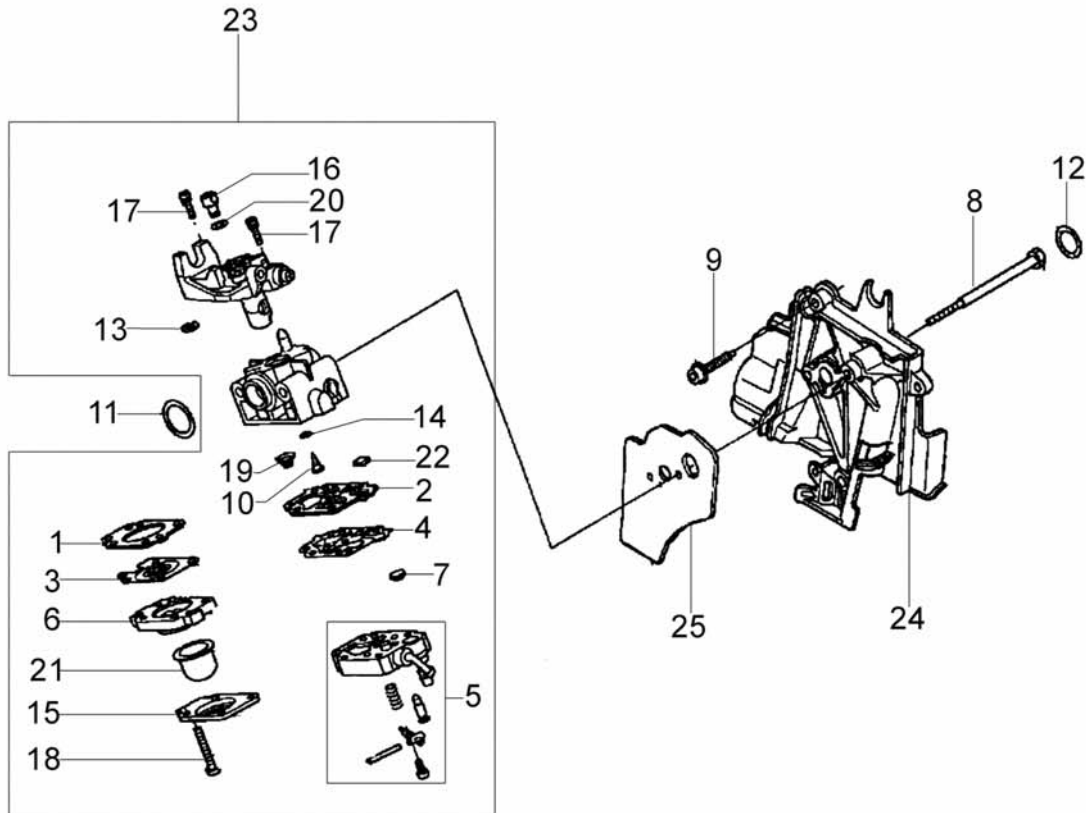


Ref.Nu	Qty	Part number	Description	Validity from	Validity till	Notes	Bulletin
1	1	H17220Z0Z000	Filter support				
2	2	H9405005000	Nut				
3	1	H90010Z0H003	Screw				
4	1	H17211Z0Z000	Air filter				
5	1	H17231Z0Z000	Air filter cover				
6	1	H17620ZM3816	Fuel cap				
7	1	H17533Z0H000	Grommet				
8	1	H17511Z0Z013	Fuel tank				
9	1	H17702Z0Z000	Fuel line				
10	2	H91401ZM3003	Hose clamp				
11	1	H17672Z0H003	Fuel filter				
12	1	H17701Z0Z000	Fuel line				
13	1	H17504ZM3003	Bush				
14	2	H91501Z0H000	Spacer				
15	2	H90018Z0H003	Screw				
16	2	H90010Z0H003	Screw				
17	1	H17555Z0Z000	Support				
18	1	H90018Z0H003	Screw				

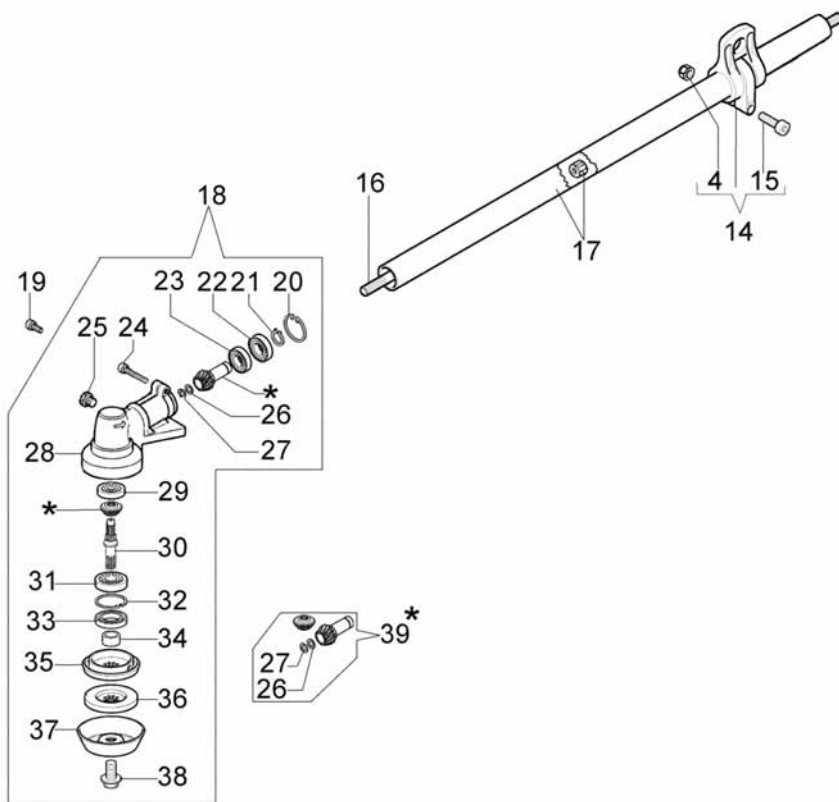
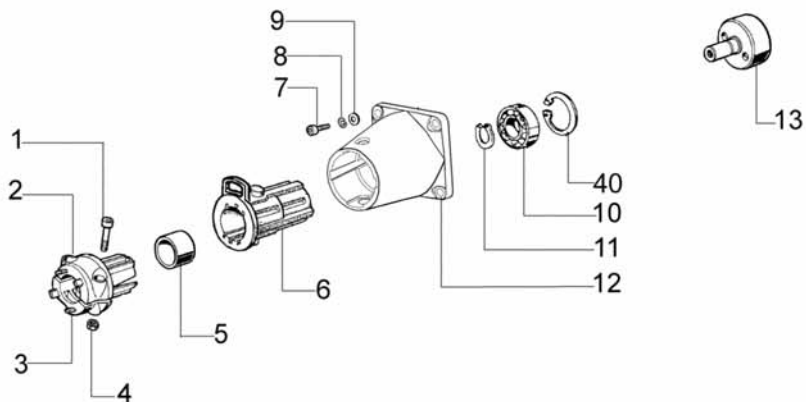


Ref.Nu	Qty	Part number	Description	Validity from	Validity till	Notes	Bulletin
1	1	H18310Z0Z801	Muffler				
2	2	H90136SM4901	Nut				
3	1	H18354Z0Z800	Filter				
4	2	H90055ZE1000	Screw				
5	1	H18515Z0Z300	Support				
6	2	H90001Z0Z003	Bolt				
7	1	H90011Z0H003	Bolt				
8	1	H19611Z0Z000	Cover				
9	3	H90009Z0H003	Bolt				
10	2	H22254Z3E000	Washer				
11	1	H22000Z0Z003	Clutch				
12	2	H22255Z3E000	Washer				
13	2	H22253Z3E000	Bolt				
14	1	H18518Z0Z020	Support				
15	1	H18350Z0Z800	Net				

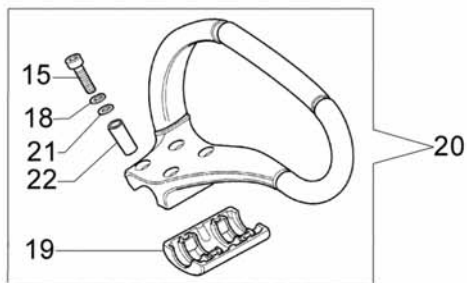
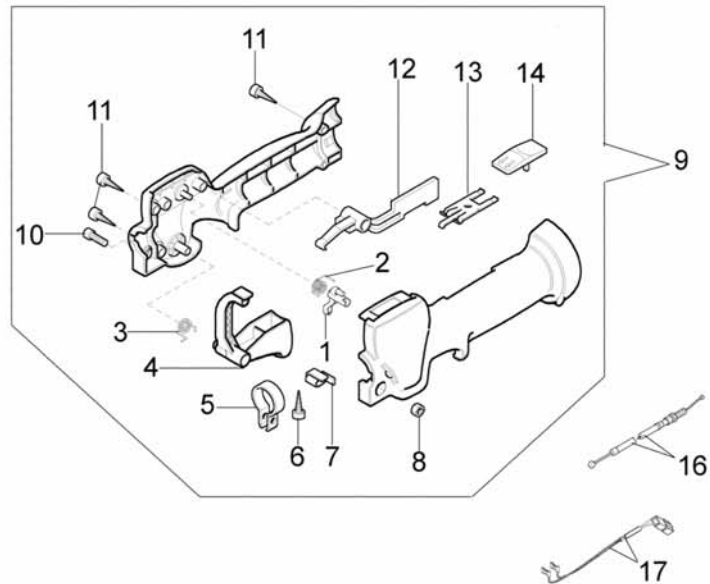




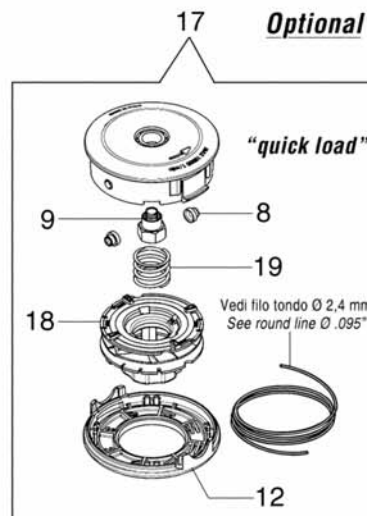
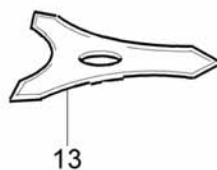
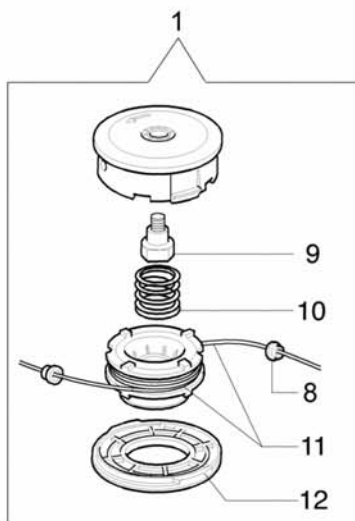
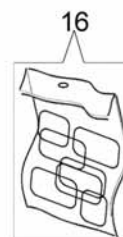
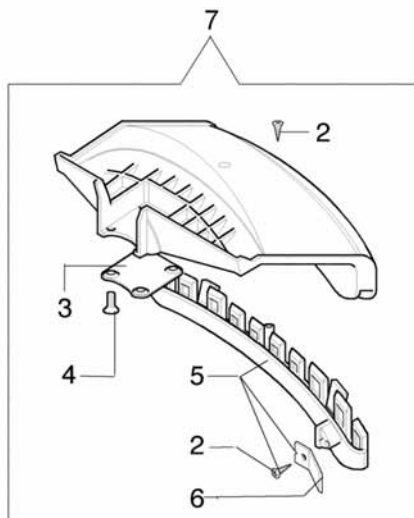
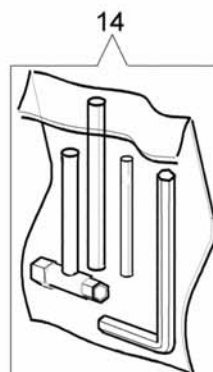
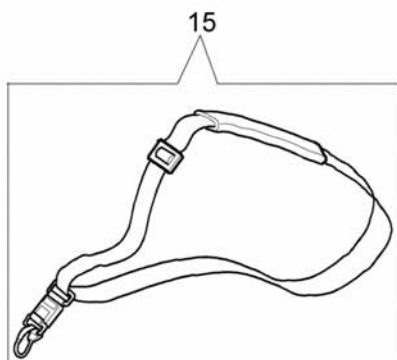
Ref.Nu	Qty	Part number	Description	Validity from	Validity till	Notes	Bulletin
1	1	H16010ZM3004	Gasket				
2	1	H16011Z0H013	Gasket				
3	1	H16013Z0H003	Diaphragm				
4	1	H16014ZM3004	Diaphragm pump				
5	1	H16015Z0H013	Pump body				
6	1	H16017ZM3004	Air purge body				
7	1	H16018ZM3802	Filter				
8	2	H90014Z0H003	Bolt				
9	3	H90018Z0H003	Screw				
10	1	H99101Z0Z0370	Jet				
11	1	H91301ZM3000	O-ring				
12	1	H91308Z3E000	O-ring				
13	1	H16024Z0H003	Retainer washer				
14	1	H16025ZM3004	O-ring				
15	1	H16026ZM3004	Cover				
16	1	H16027ZM3004	Adjuster nut				
17	2	H16028ZM3004	Screw				
18	4	H16029ZM3004	Screw				
19	1	H16030ZM3004	Spring				
20	1	H16031ZM3004	Washer				
21	1	H16032ZM3004	Primer				
22	1	H16035ZM3802	Filter				
23	1	H16100Z0Z034	Carburettor WYB 16C				
24	1	H19631Z0Z010	Insulator				
25	1	H16221Z0Z000	Gasket				



Ref.Nu	Qty	Part number	Description	Validity from	Validity till	Notes	Bulletin
1	2	3801016	Screw				
2	1	61200059R	Adaptor				
3	1	61200060R	Adaptor				
4	2	3914003	Nut				
5	1	4161364	Bushing				
6	1	4161428	Shock absorber				
7	4	3801021	Screw				
8	4	3819010	Washer				
9	1	3916006	Washer				
10	1	3035019R	Bearing				
11	1	3024012	Ring				
12	1	61270003R	Cover				
13	1	61200032R	Clutch drum				
14	1	4161619R	Band d.26				
15	1	3801015	Screw				
16	1	61170075R	Drive shaft				
17	1	61202023R	Tube Ø26				
18	1	61052030BR	Bevel gear				
19	1	3901008	Screw				
20	1	3025018	Ring				
21	1	3024010R	Ring				
22	1	3035230	Bearing				
23	1	3034008	Bearing				
24	1	3901016	Screw				
25	1	61040071R	Cap				
26	1	4138311A	Ring				
27	1	3025009	Ring				
28	1	61050013R	Gear case				
29	1	3034218	Bearing				
30	1	61040106A	Pin				
31	1	3034012R	Bearing				
32	1	3025022	Ring				
33	1	3050018R	Seal ring				
34	1	61040066	Spacer				
35	1	61040145R	Hub				
36	1	4179089R	Flange				
37	1	4100456R	Guard				
38	1	61040074AR	Screw				
39	1	61040132	Bevel gear Ø26				
40	1	3025019	Ring				



Ref.Nu	Qty	Part number	Description	Validity from	Validity till	Notes	Bulletin
1	1	61040052	Pawl				
2	1	61040057R	Spring				
3	1	61040056R	Spring				
4	1	61040049	Throttle lever				
5	1	61010019	Band				
6	1	3960061AR	Screw				
7	1	61040054	Plate				
8	2	3914003	Nut				
9	1	61012006A	Handle				
10	1	3801011	Screw				
11	3	3960067AR	Screw				
12	1	61040050A	Lever				
13	1	61040053	Plate				
14	1	61070042	Switch				
15	4	3801015	Screw				
16	1	61260005R	Throttle cable				
17	1	61260006R	Cable				
18	4	3819006	Washer				
19	1	61170117R	Clamp d.26				
20	1	62030039A	Handle				
21	4	3916005	Washer				
22	4	61170133	Insert				



Ref.Nu	Qty	Part number	Description	Validity from	Validity till	Notes	Bulletin
1	1	63019001C	Tap'n go head with 2 nylon lines				
2	2	3960040R	Screw				
3	1	4174278	Plate				
4	4	3802004CR	Screw				
5	1	4174283A	Skirt w/blade				
6	1	4174275R	Blade				
7	1	4192048A	Guard				
8	2	4199005A	Bushing				
9	1	4199008B	Insert				
10	1	4199004	Spring				
11	1	4199014A	Nylon spool Ø2.4				
12	1	4199046	Cover				
13	1	4095673AR	Disk 3t				
14	1	61170181	Tool kit				
15	1	4160463AR	Single harness				
16	1	61272014	Decals set				
17	1	63019009A	Quick load head with 2 nylon lines				
18	1	4199049	Spool				
19	1	4199048R	Spring				