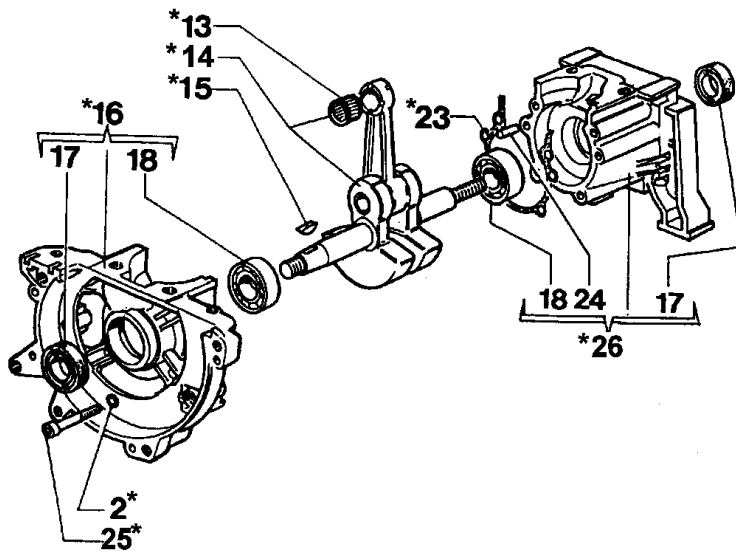
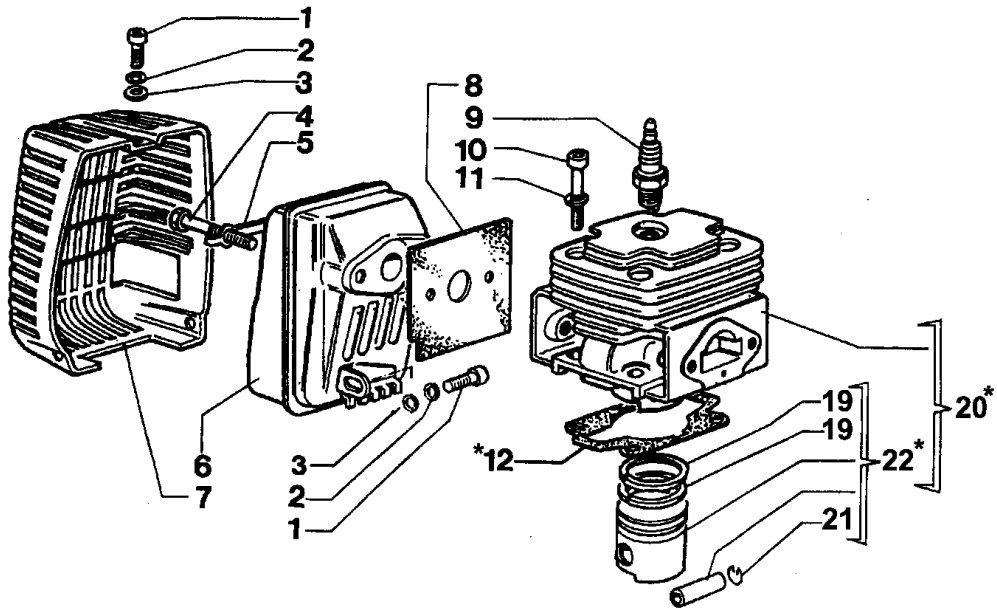


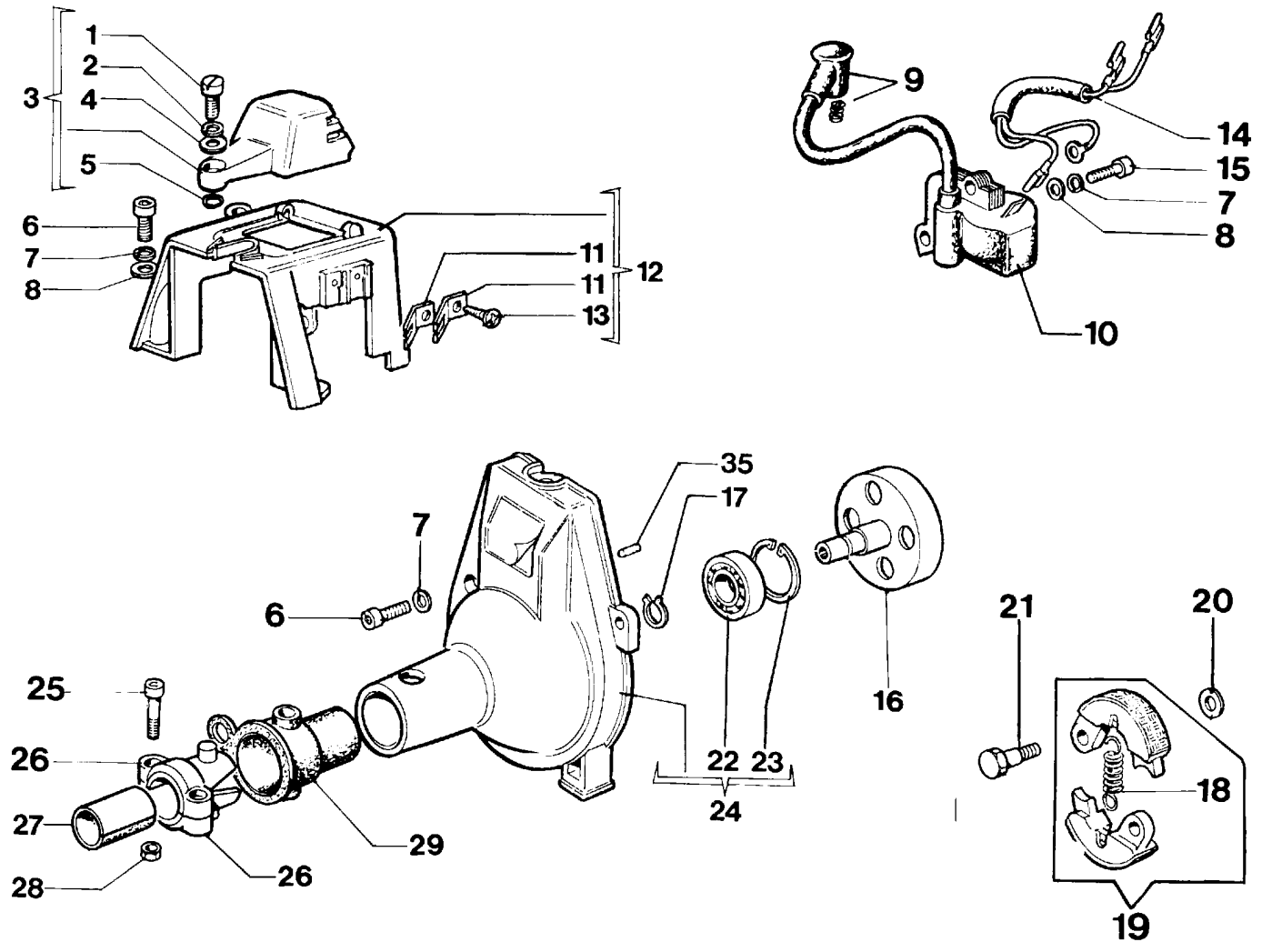
Drawing Starter assy

Refer ence	Qty	Item number	Description
1	1	3912009	Nut
2	1	3801011	Screw
3	1	3819006	Washer
4	1	4191016	Pawl
5	1	4191017A	Spring
6	1	3064010	Washer
7	1	3024007	Ring
8	1	4191143	Clutch driver
9	1	4191144B	Starter assy
10	1	3906041	Screw
11	1	3918006	Washer
12	1	4191018R	Pulley
13	1	004000132R	Spring
14	1	4098073R	Starter rope
15	1	4191020A	Handle
16	1	3916004	Washer
33	1	4191021AR	Flywheel
34	1	3916010	Washer
35	1	3912012	Nut



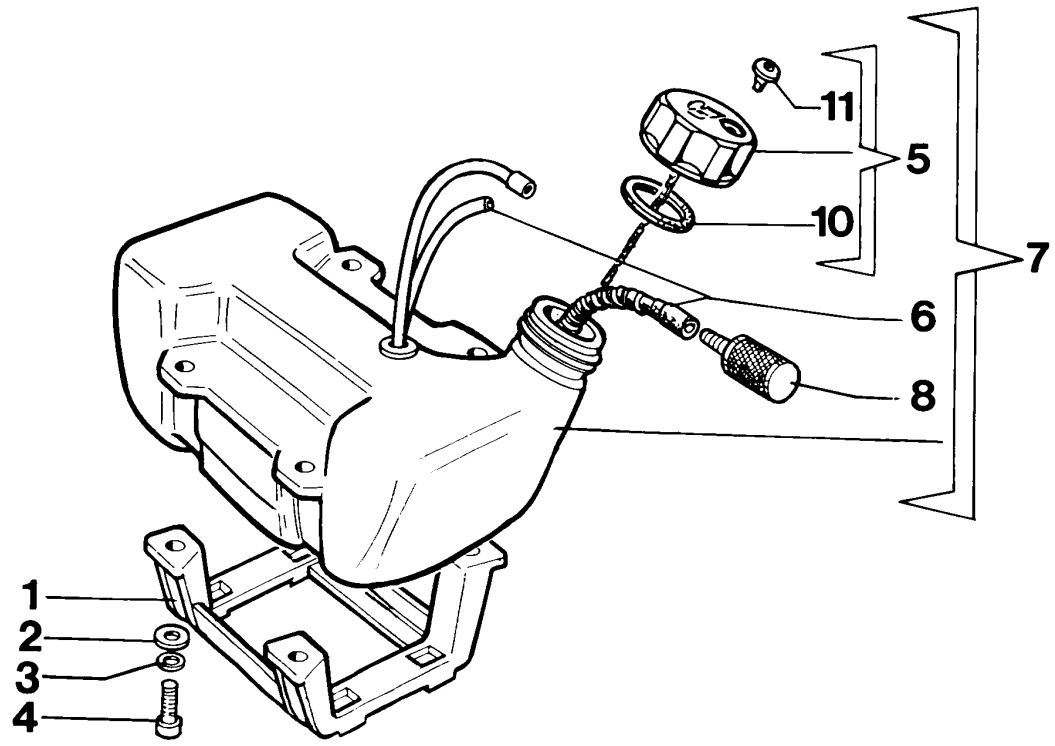
***27 Short Block**

Drawing	Engine		
Reference	Qty	Item number	Description
1	1	3801010R	Screw
2	3	3819006	Washer
3	1	3916005	Washer
4	1	3806046	Screw
5	1	4191068	Plate
6	1	4191042A	Muffler
7	1	4191043A	Muffler cover
8	1	4191035A	Gasket
9	1	3055101	Spark plug
10	1	3801034	Screw
11	1	3819010	Washer
12	1	4191006	Gasket
13	1	3037014	Bearing
14	1	4191214	Crankshaft
15	1	3028013R	Key
16	1	4191186	Half crankcase
17	1	3050015AR	Seal ring
18	1	3034012	Bearing
19	2	005000015	Piston ring Ø52
20	1	4191210A	Cylinder
21	2	4191005	Ring
22	1	4191212	Piston assy Ø44
23	1	4191012	Gasket
24	2	3023008R	Pin
25	1	3801035	Screw
26	1	4191187	Half crankcase
27	1	4191183	Short block



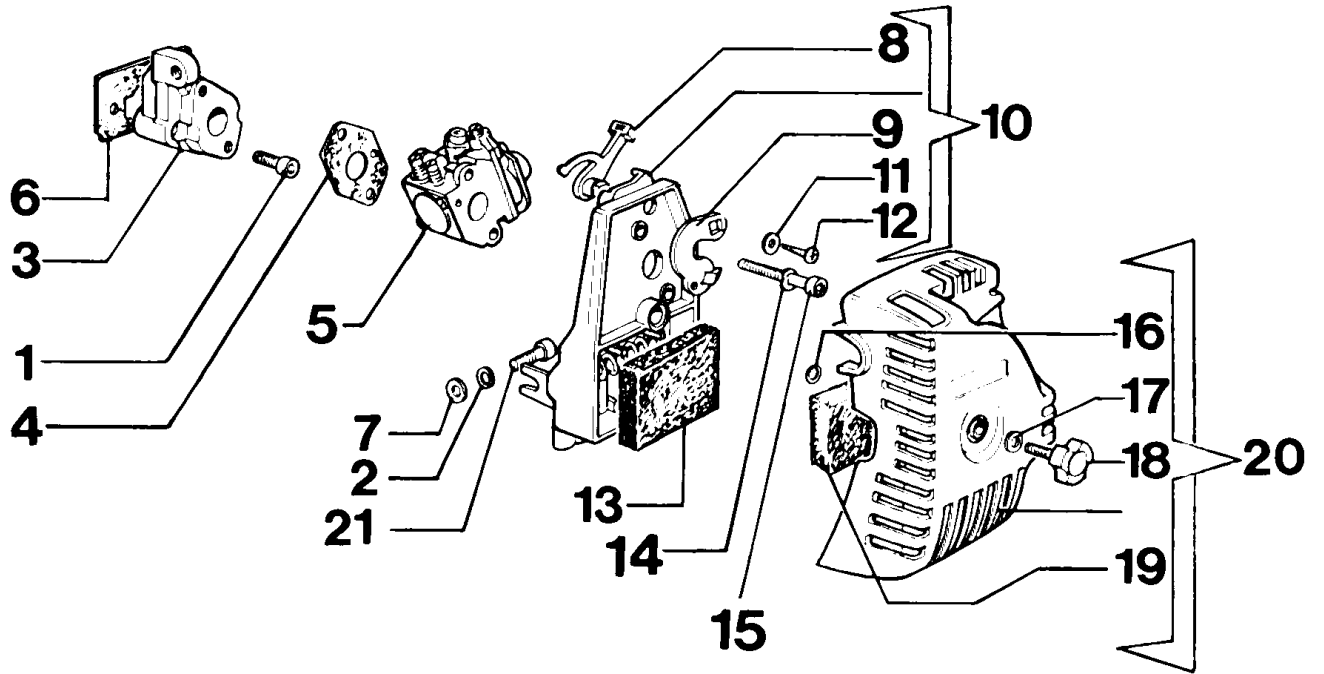
Drawing Clutch assy

Refer	Qty	Item number	Description
ence 1	1	3908032R	Screw
2	1	3819010	Washer
3	1	4191179	Cover
4	1	3916006	Washer
5	1	3049005	O-ring
6	1	3801011	Screw
7	1	3819006	Washer
8	1	3916005	Washer
9	1	4098064	Spark plug cap
10	1	4191022	Ignition coil
11	1	4191069B	Plate
12	1	4191180	Cylinder cover
13	1	3960030	Screw
14	1	61110105	Cable
15	1	3801013	Screw
16	1	4191030R	Clutch drum
17	1	3024015	Ring
18	1	4191028R	Spring
19	1	4191153AR	Clutch
20	1	3818011A	Washer
21	1	4191027CR	Pin
22	1	3035019	Bearing
23	1	3025022	Ring
24	1	4191188	Starter case
25	1	3801016	Screw
26	1	4191060	Adaptor
27	1	4192003	Adapter
28	1	3914003	Nut
29	1	4191058A	Sleeve



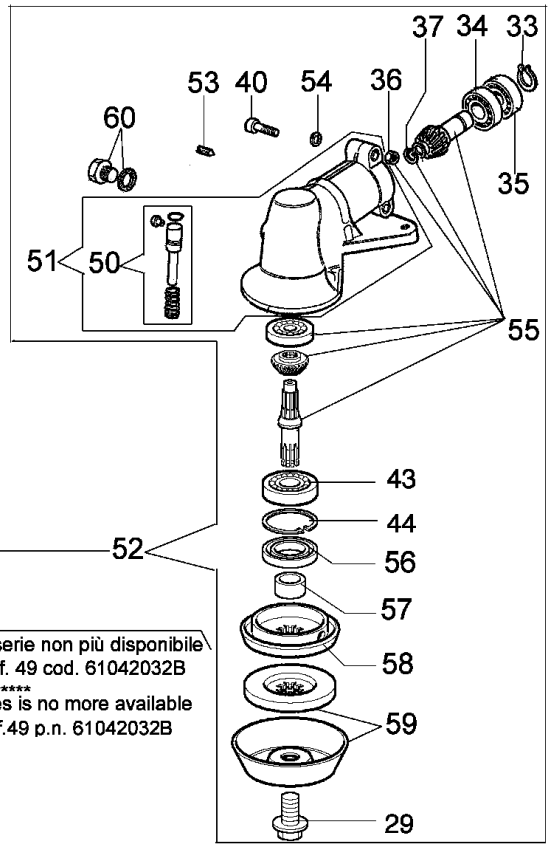
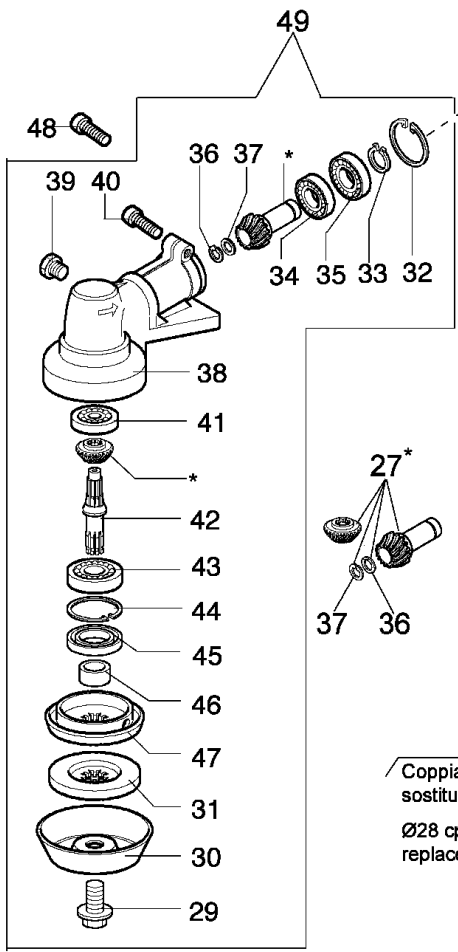
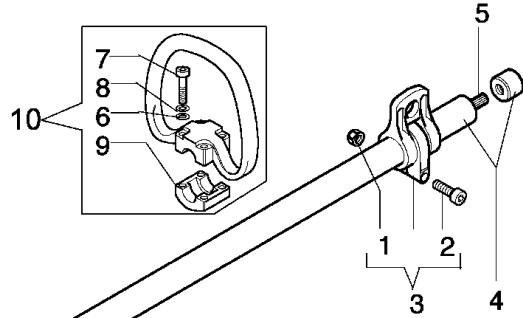
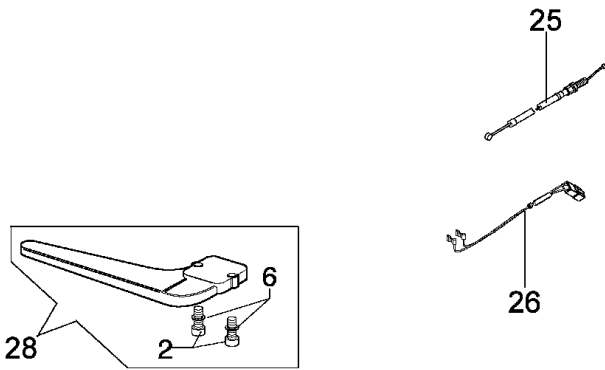
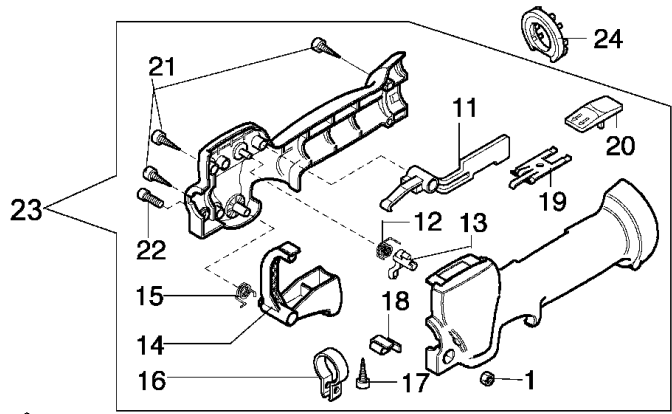
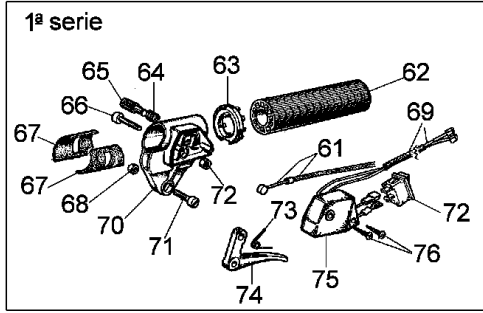
Drawing Fuel tank

Reference	Qty	Item number	Description
1	1	4191034B	Stand
2	1	3918005	Washer
3	1	3819006	Washer
4	1	3801013	Screw
5	1	4100309	Cap
6	1	4191177	Hose
7	1	4191156A	Fuel tank
8	1	094500207	Fuel filter
10	1	4100308	Gasket
11	1	4098658AR	Breather valve



Drawing Carburetor & air filter

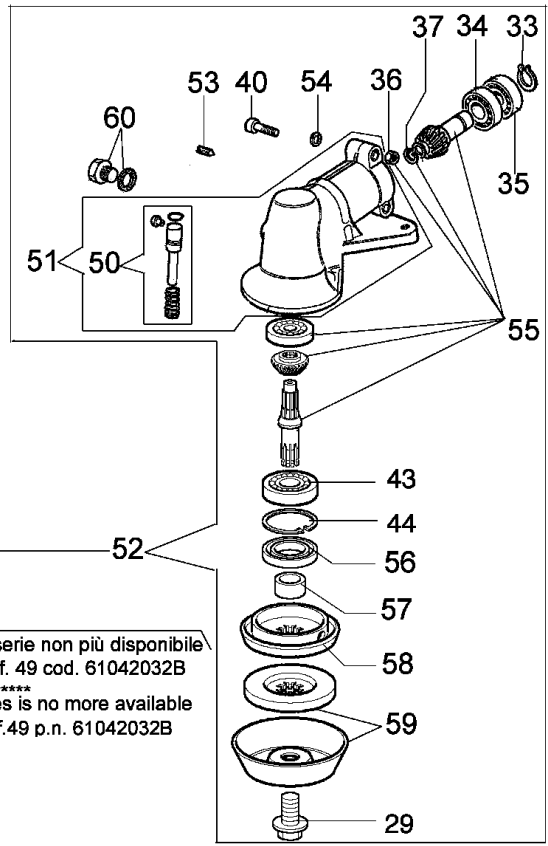
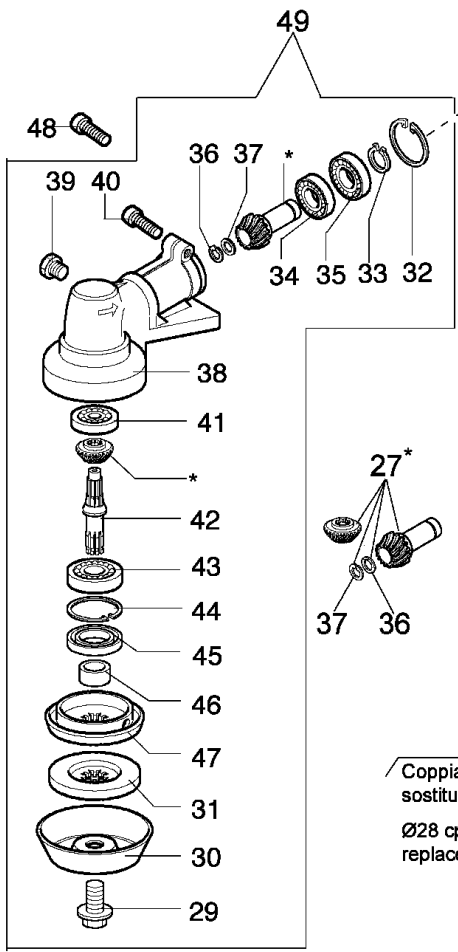
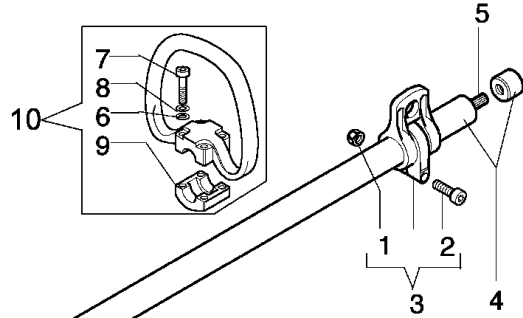
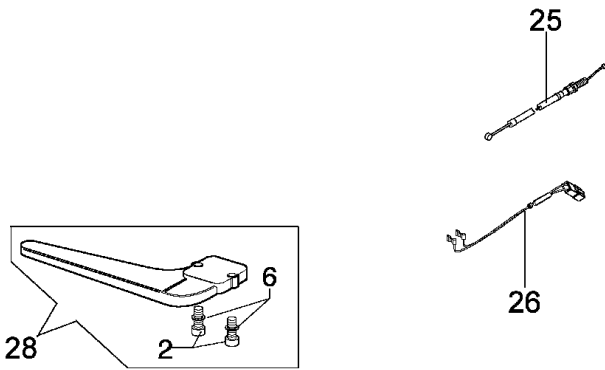
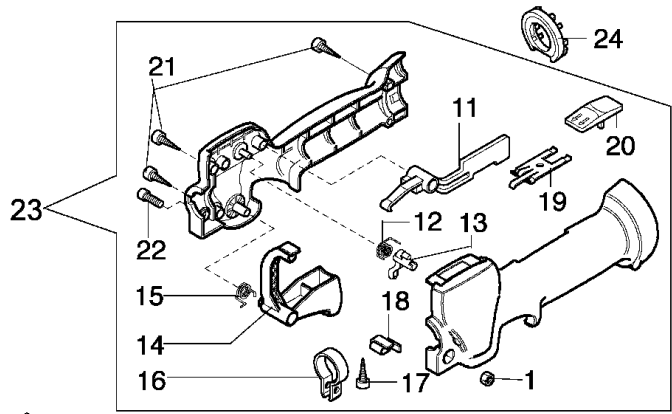
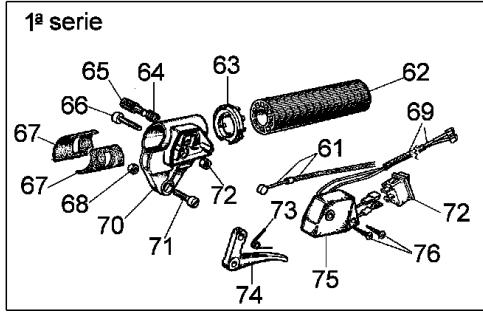
Refer ence	Qty	Item number	Description
1	1	3801013	Screw
2	1	3819006	Washer
3	1	4191150	Insulator
4	1	4174093A	Gasket
5	1	2318520	Carburetor C1Q-E3
6	1	4191044	Gasket
7	1	3918005	Washer
8	1	4191049	Starter lever
9	1	4191050	Shutter
10	1	4191152	Support
11	1	4120070	Washer
12	1	320000004	Screw
13	1	4191048	Air filter
14	1	3833073	Washer
15	1	3801012	Screw
16	1	3049004	O-ring
17	1	3078007	Washer
18	1	4174098A	Knob
19	1	4191085	Sponge
20	1	4191157	Filter cover
21	1	3801011	Screw



Coppia conica cpl. Ø28 1ª serie non più disponibile
 sostituita dalla nuova cpl. ref. 49 cod. 61042032B

 Ø28 cpl. bevel gear 1ª series is no more available
 replaced by new cpl. one ref.49 p.n. 61042032B

Drawing	Transmission		
Refer ence	Qty	Item number	Description
1	2	3914003	Nut
2	3	3801015	Screw
3	1	4179194R	Band
4	1	4191192R	Tube Ø28
5	1	4098116R	Drive shaft
6	6	3918010	Washer
7	4	3801017R	Screw
8	4	3819006	Washer
9	1	61040061	Clamp
10	1	61042039	Handle
11	1	61040050A	Lever
12	1	61040057	Spring
13	1	61040052	Pawl
14	1	61040049	Throttle lever
15	1	61040056	Spring
16	1	61040055	Band
17	1	3960061	Screw
18	1	61040054	Plate
19	1	61040053	Plate
20	1	61040051	Switch
21	3	3960067	Screw
22	1	3801011	Screw
23	1	61042021A	Handle
24	1	4138630A	Grip-end
25	1	61040058	Throttle cable
26	1	61040059A	Cable
27	1	61040133	Bevel gear
28	1	61042026	Guard
29	1	61040074AR	Screw
30	1	4100456R	Guard
31	1	4179089R	Flange
32	1	3025019	Ring
33	1	3024010R	Ring
34	1	3034008	Bearing
35	1	3035230	Bearing
36	1	3025009	Ring
37	1	4138311A	Ring
38	1	61040144	Gear case
39	1	61040071R	Cap
40	1	3901016	Screw
41	1	3034218	Bearing
42	1	61040106A	Pin
43	1	3034012	Bearing
44	1	3025022	Ring
45	1	3050018	Seal ring
46	1	61040066	Spacer
47	1	61040145R	Hub
48	1	3901008	Screw
49	1	61042032BR	Bevel gear



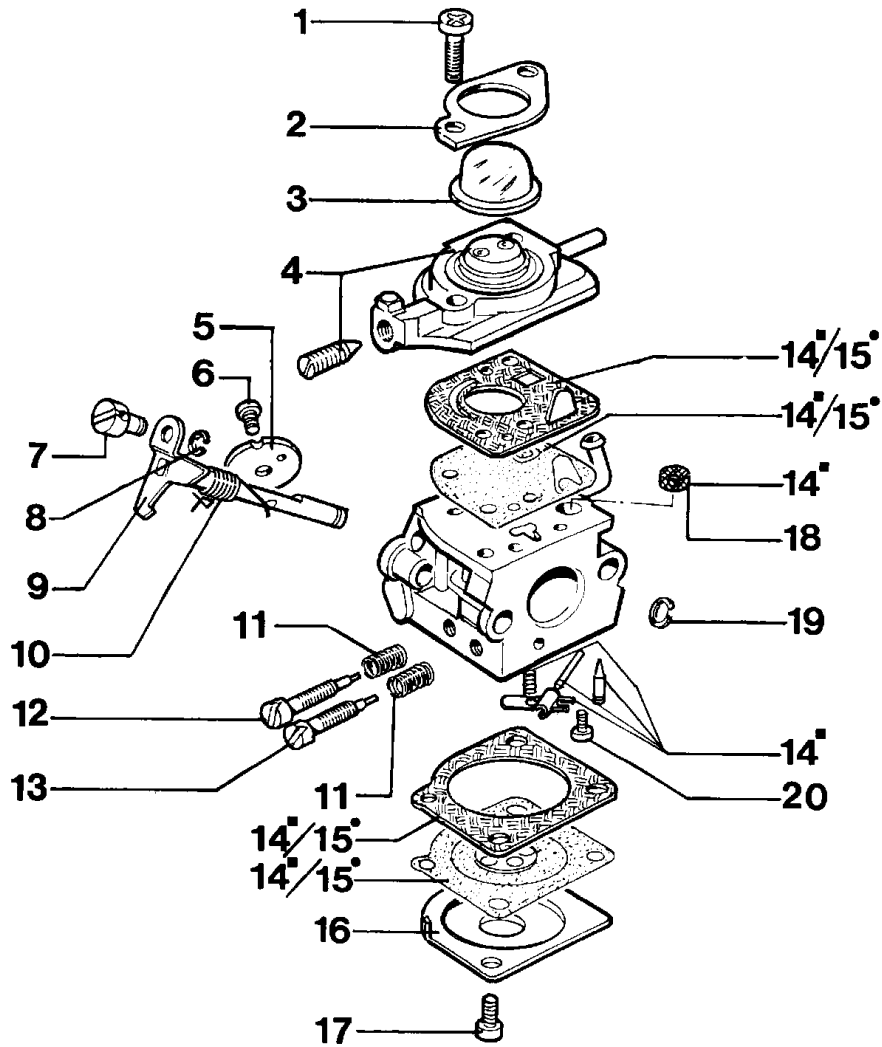
Coppia conica cpl. Ø28 1ª serie non più disponibile
 sostituita dalla nuova cpl. ref. 49 cod. 61042032B

 Ø28 cpl. bevel gear 1ª series is no more available
 replaced by new cpl. one ref.49 p.n. 61042032B

Drawing	Transmission		
Reference	Qty	Item number	Description
50	1	4174338A	Pin
51	1	4138695	Gear case
52	1	4138669	Bevel gear
53	1	3805010	Screw
54	1	3918006	Washer
55	1	4191233	Bevel gear set
56	1	3050023R	Seal ring
57	1	4138668	Spacer
58	1	4191247	Hub
59	1	4191204	Flange
60	1	4138428	Cap
61	1	4191083	Throttle cable
62	1	4179094A	Knob
63	1	4138630A	Grip-end
64	1	4100098BR	Spring
65	1	4100099A	Button
66	1	3908031	Screw
67	2	4160042	Adaptor
68	2	3914003	Nut
69	1	4191084	Cable
70	1	4100257C	Chain tensioner screw
71	1	3908013	Screw
72	1	2317021R	Switch
73	1	4098151	Spring
74	1	4098148A	Throttle lever
75	1	4100436A	Cover
76	2	3960020	Screw

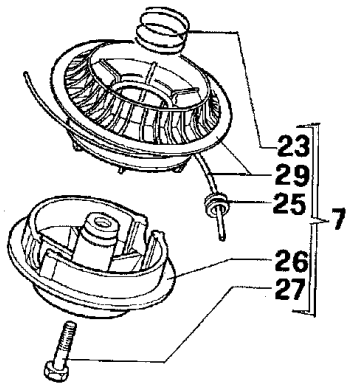
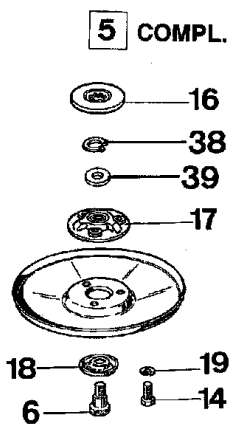
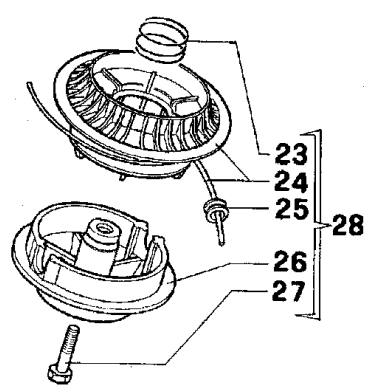
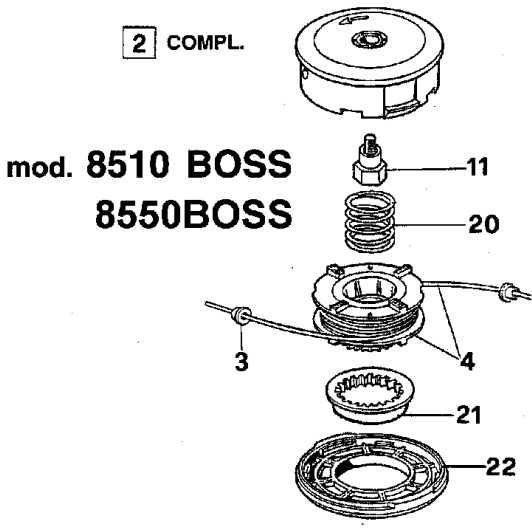
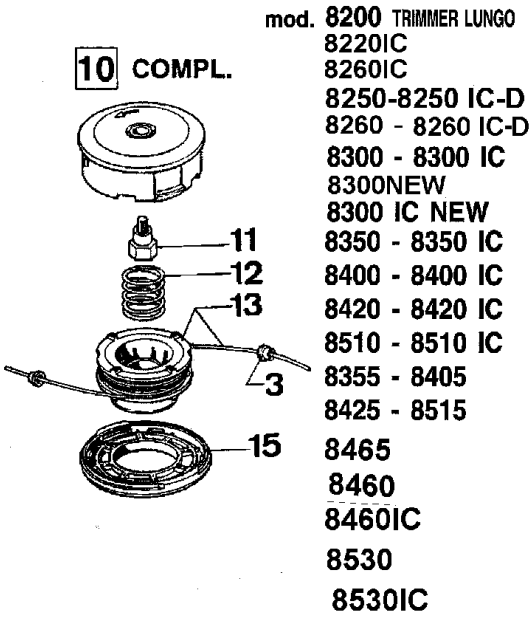
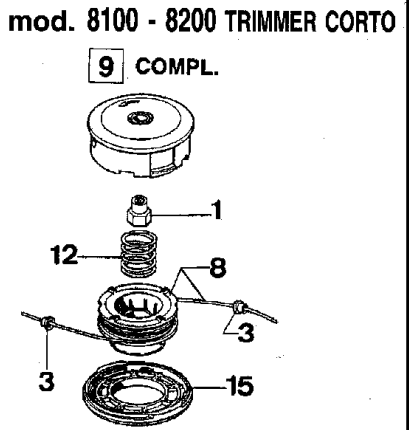
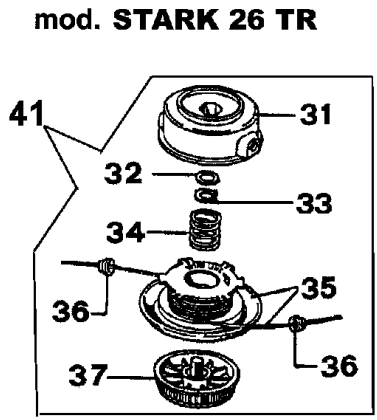
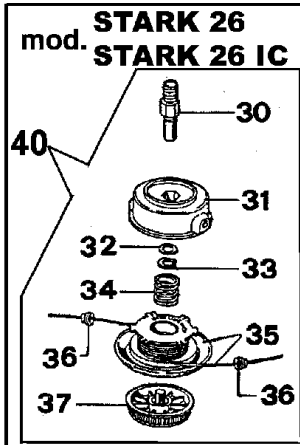
21 **ZAMA C1Q-E3**

mod. 8420 - 8425 - 8510 - 8515



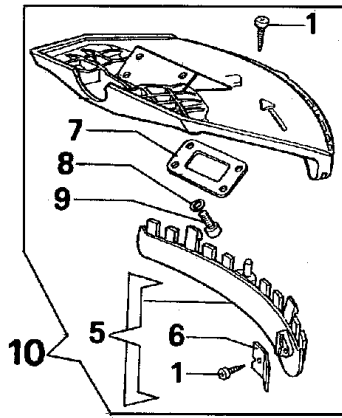
- 15 ● KIT MEMBRANE & GUARNIZIONI
DIAPHRAGM & GASKET SET
- 14 ■ KIT RIPARAZIONE
REPAIR KIT

Drawing		Carburetor	
Refer	Qty	Item number	Description
ence 1	1	2318521	Screw
2	1	2318526	Cover
3	1	2318525	Pump
4	1	2318524	Cover
5	1	2318389	Starter valve
6	1	2318388	Screw
7	1	2318386	Pin
8	1	2318387	Ring
9	1	2318529	Shaft
10	1	2318528	Spring
11	1	2318532	Spring
12	1	2318533	Screw L
13	1	2318534	Screw H
14	1	2318530	Repair kit
15	1	2318531	Gasket set
16	1	2318523	Cover
17	1	2318522	Screw
18	1	2318392	Filter
19	1	2318535	Ring
20	1	2318527	Screw
21	1	2318520	Carburetor C1Q-E3



Drawing Nylon heads

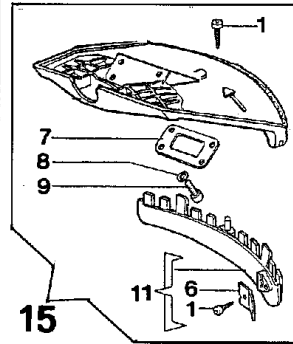
Refer ence	Qty	Item number	Description
1	1	4199011	Insert
2	1	63039001	Nylon head
3	1	4199005A	Bushing
4	1	63032003	Nylon spool
5	1	4098589	Safety skid
6	1	4095057	Pin
7	1	4138700	Nylon head
7	1	4138696	Nylon head Ø2.4
8	1	4199024	Nylon spool
9	1	63019006	Nylon head
10	1	63019007B	Tap'n go head with 2 nylon lines
10	1	63019001A	Nylon head
11	1	4199008A	Insert
12	1	4199004	Spring
13	1	4199014	Nylon spool
13	1	4199031	Nylon spool
14	1	3906019	Screw
15	1	4199002	Cover
16	1	4179089R	Flange
17	1	4095138	Hub
18	1	4098587	Flange
19	1	3819006	Washer
20	1	63030007	Spring
21	1	63030004	Knob
22	1	63030002	Cover
23	1	4098176	Spring
24	1	4179075	Nylon spool
24	1	4179070	Nylon spool
25	1	4098175	Bushing
26	1	4098174	Cup
27	1	3806075	Screw
28	1	4179040	Nylon head
28	1	4179035	Nylon head
29	1	4138687	Nylon spool
29	1	4138686	Nylon spool
30	1	61060013	Pin
31	1	070000192	Cover
32	1	3064004A	Washer
33	1	3024012	Ring
34	1	071000010	Spring
35	1	61062006	Nylon spool Ø2
36	1	070000193	Bushing
37	1	071000006	Knob
38	1	3026012	Ring
39	1	3818011A	Washer
40	1	63029008	Tap'n go head with 2 nylon lines
41	1	61062023	Tap'n go head with 2 nylon lines



mod. 8400

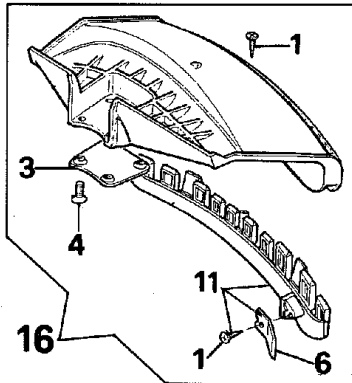
FINO A FEBBRAIO '98
TILL FEBRUARY '98
JUSQU'A FÉVRIER '98
HASTA FEBRERO '98

8300 - 8300IC - 8350IC
mod. 8300 NEW - 8300IC NEW - 8355
8405 - 8400IC - 8425



FINO A FEBBRAIO '98
TILL FEBRUARY '98
JUSQU'A FÉVRIER '98
HASTA FEBRERO '98

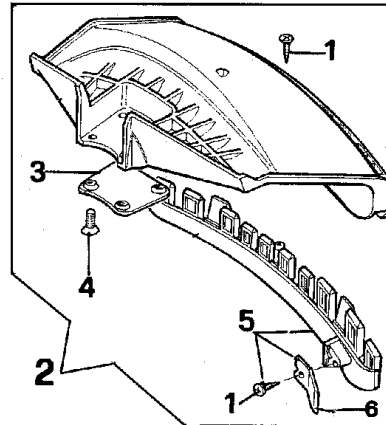
mod. 8300 NEW - 8300IC NEW - 8350
8350IC - 8355 - 8405
8425 - 8400IC - 8515 - 8465



NUOVO TIPO
NEW TYPE
NOUVEAU TYPE
NUEVO TIPO

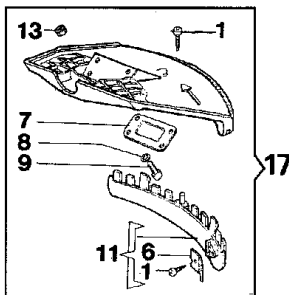
DA MARZO '98
FROM MARCH '98
DEPUIS MARS '98
DESDE MARZO '98

mod. 8420 - 8420IC - 8510 - 8460 - 8530
8550 BOSS 8510IC - 8510 BOSS 8530IC

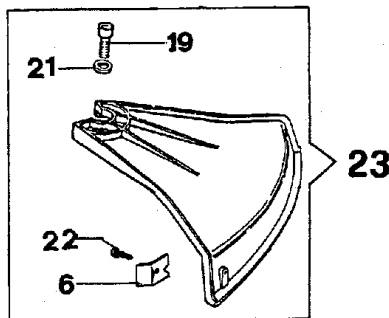


mod. 8400
DA MARZO '98
FROM MARCH '98
DEPUIS MARS '98
DESDE MARZO '98

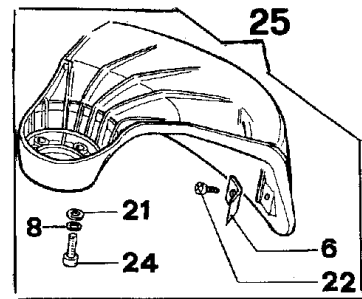
mod. 8220 IC - 8260 - 8260 IC - 8260 D-IC
STARK 26 - STARK 26 IC



mod. STARK 26 TR



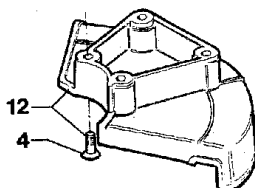
mod. 8200 TRIMMER



PROTEZIONI IN METALLO - WOOD DISK METAL GUARDS

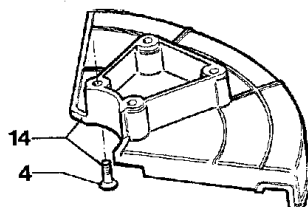
OPTIONAL

PER DISCO Ø 200 mm. 22 DENTI
FOR DISK Ø 200 mm. 22 TEETH



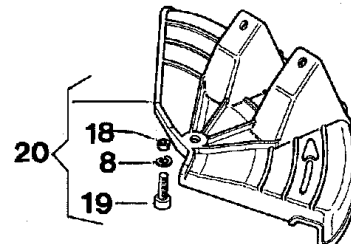
OPTIONAL

PER DISCHI Ø 255 mm. 60/80 DENTI
FOR DISK Ø 255 mm. 60/80 TEETH



OPTIONAL

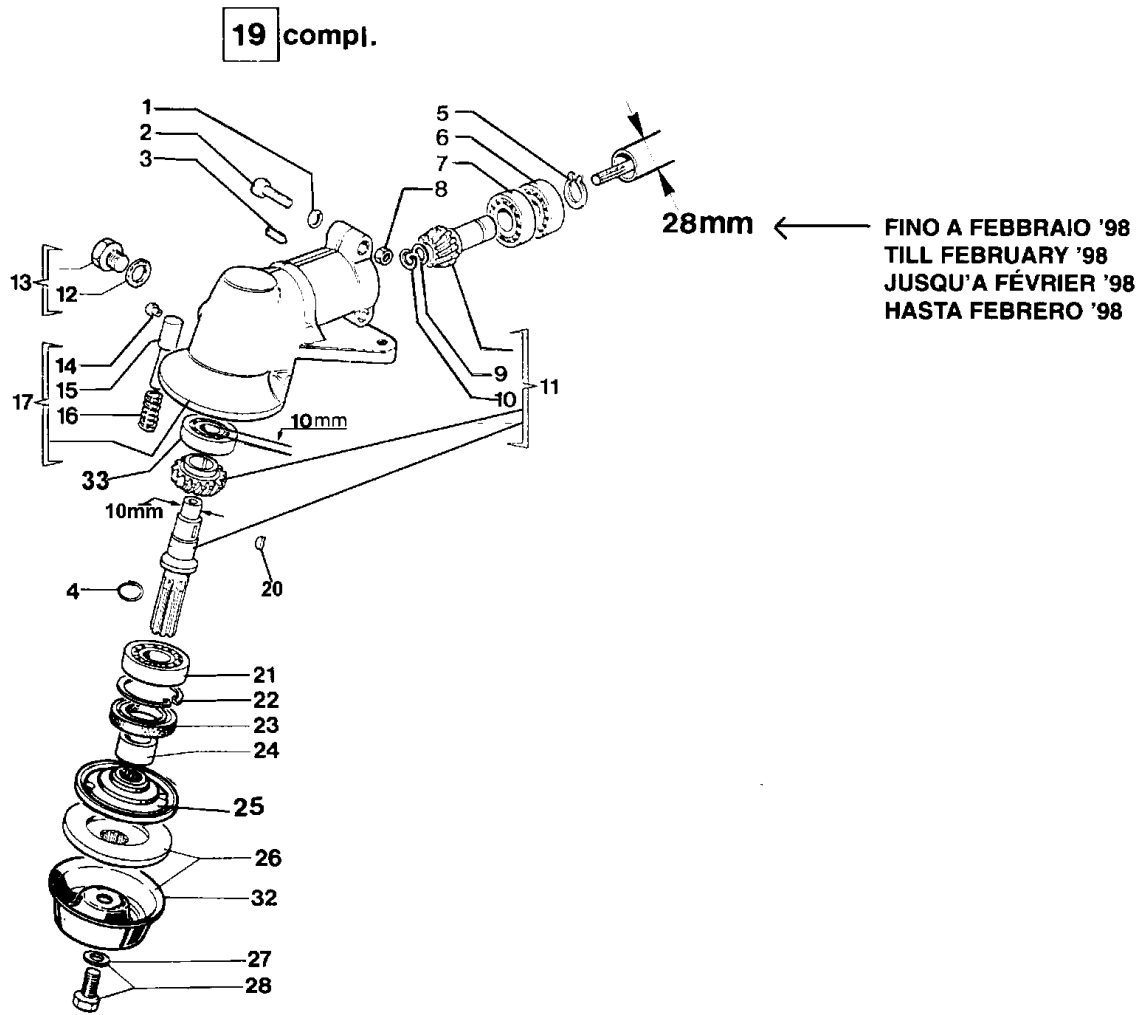
PER DISCHI Ø 255 mm. 60/80 DENTI
FOR DISK Ø 255 mm. 60/80 TEETH



Drawing

Guards

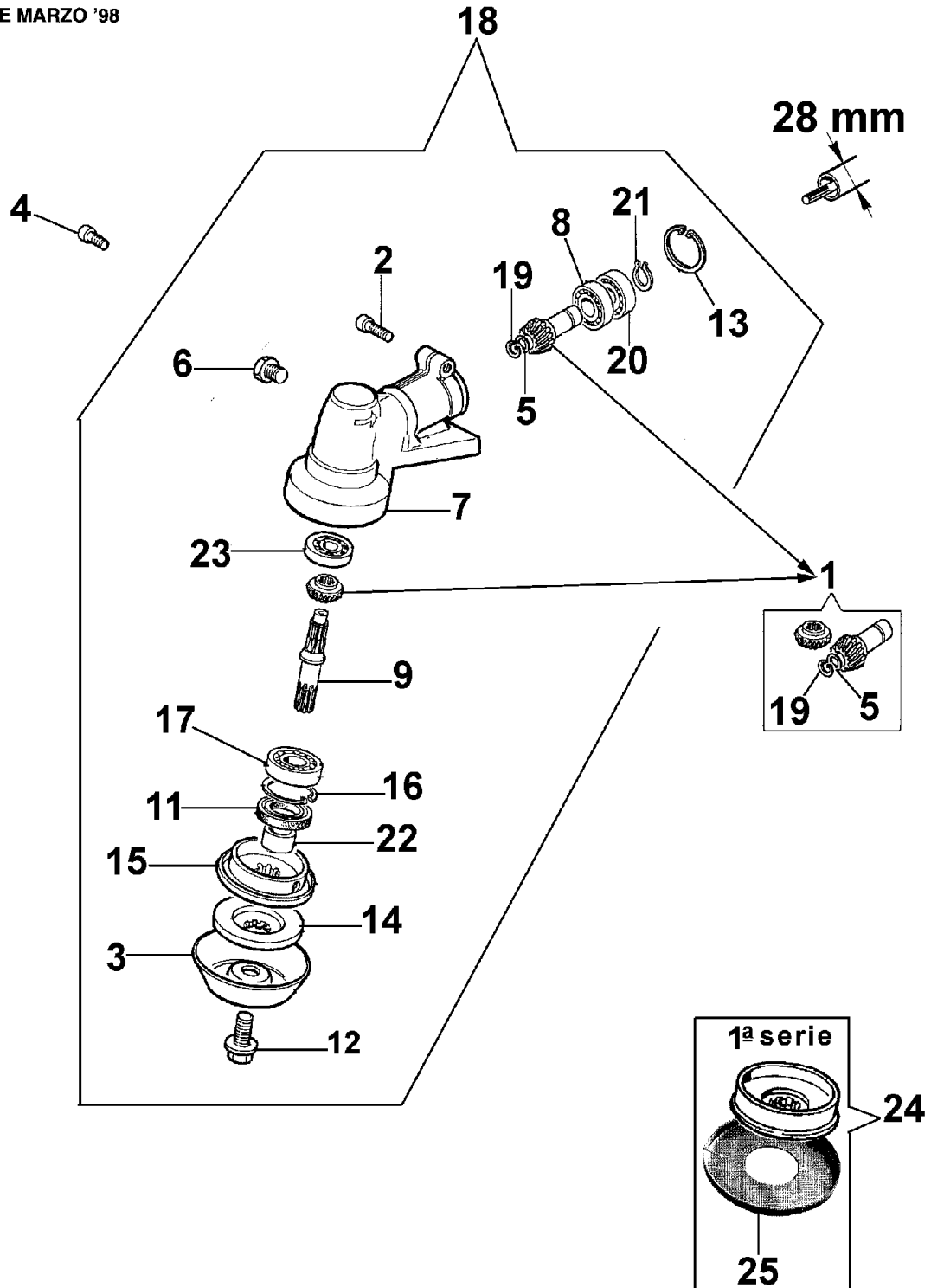
Refer	Qty	Item number	Description
ence 1	1	3960040R	Screw
2	1	4192048A	Guard
3	1	4174278	Plate
4	1	3802004BR	Screw
5	1	4174283A	Skirt w/blade
6	1	4174275R	Blade
7	1	4138682	Plate
8	1	3819006	Washer
9	1	3801011	Screw
10	1	4138692A	Guard assy
11	1	4179113A	Skirt w/blade
12	1	4174280	Metal guard
13	1	3914003	Nut
14	1	4174279	Metal guard
15	1	4179114A	Guard assy
15	1	4179119A	Guard assy
16	1	61042035	Plastic guard
17	1	4168053A	Guard assy
18	1	3912005	Nut
19	1	3801011	Screw
20	1	4175120	Disc guard d.203
21	1	3916005	Washer
22	1	3960014	Screw
23	1	60012023	Guard assy
24	1	3801013	Screw
25	1	4198047	Guard assy
25	1	4198044	Guard



Drawing Bevel gear till 02/98

Refer ence	Qty	Item number	Description
1	1	3819006	Washer
2	1	3801016	Screw
3	1	3805010	Screw
4	1	4179068	Ring
5	1	3024012	Ring
6	1	3035023	Hook
7	1	3034010	Bearing
8	1	3912005	Nut
9	1	4138311A	Ring
10	1	3025009	Ring
11	1	4138617A	Bevel gear set
12	1	4179141	Washer
13	1	4138428	Cap
14	1	3032005	Rivet
15	1	4138289	Pin
16	1	4138290	Spring
17	1	4138695	Gear case
19	1	4138669	Bevel gear
20	1	3028013R	Key
21	1	3034012	Bearing
22	1	3025022	Ring
23	1	3050023R	Seal ring
24	1	4138668	Spacer
25	1	4191110	Hub
26	1	4138666	Flange
27	1	3818016	Washer
28	1	4138664	Screw
32	1	4100456R	Guard
33	1	3034008	Bearing

DA MARZO '98
FROM MARCH '98
DEPUIS MARS '98
DESDE MARZO '98



Drawing Bevel gear 03/98

Refer	Qty	Item number	Description
ence 1	1	61040133	Bevel gear
2	1	3901016	Screw
3	1	4100456R	Guard
4	1	3901008	Screw
5	1	4138311A	Ring
6	1	61040071R	Cap
7	1	61050013R	Gear case
8	1	3034010	Bearing
9	1	61040106A	Pin
11	1	61052050A	Seal ring
12	1	61040074AR	Screw
13	1	3025019	Ring
14	1	4179089R	Flange
15	1	61040145R	Hub
16	1	3025022	Ring
17	1	3034012	Bearing
18	1	61042032BR	Bevel gear
19	1	3025009	Ring
20	1	3035230	Bearing
21	1	3034010	Bearing
22	1	61040066	Spacer
23	1	3034018	Bearing
24	1	61040147	Hub with sheet
25	1	61040143	Plate