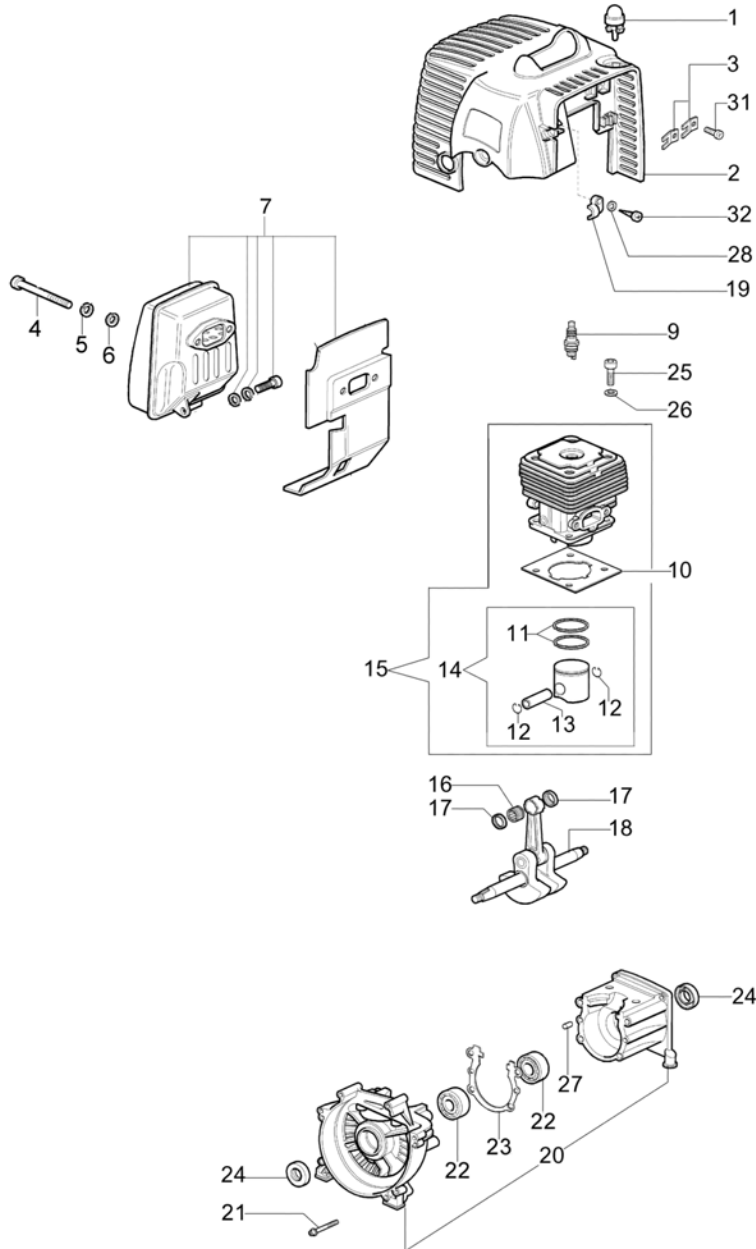


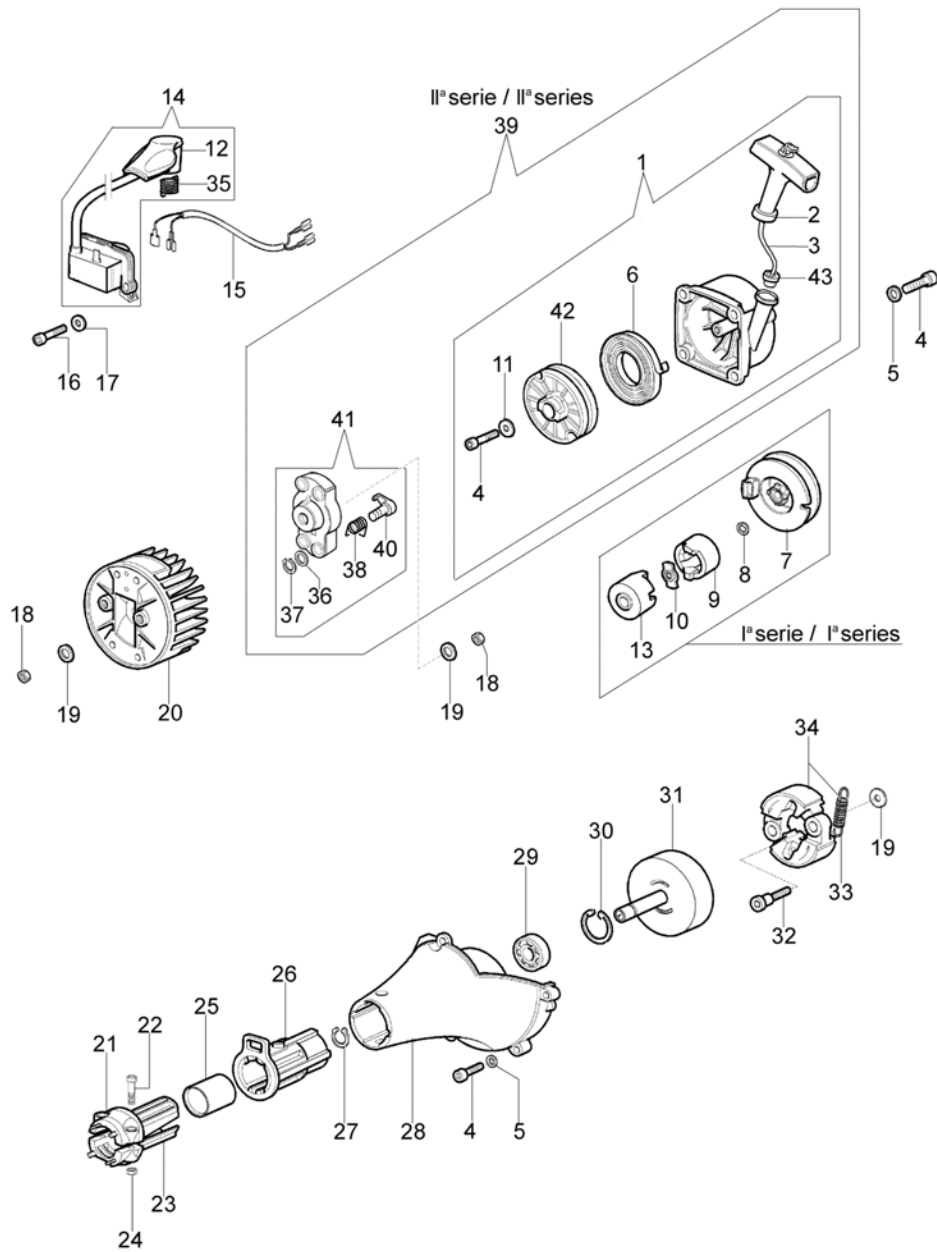
8370 S - Engine



8370 S - Engine

Ref.Nu	Qty	Part number	Description	Validity from	Validity till	Notes	Bulletin
1	1	50060012	Air purge				
2	1	61200027R	Cylinder cover				
3	2	4191069B	Plate				
4	2	3801065R	Screw				
5	2	3819036R	Washer				
6	1	3916006	Washer				
7	1	61200061R	Muffler				
9	1	3055115	Spark plug				
10	1	61200007AR	Gasket				
11	2	003300015R	Piston ring Ø38				
12	2	004900061R	Ring				
13	1	50110047R	Piston pin				
14	1	61212004A	Compl. piston Ø38				
15	1	61212005A	Compl. cylinder				
16	1	50110044R	Bearing				
17	2	50110043R	Spacer				
18	1	61200001R	Crankshaft				
19	1	61200064R	Stopper				
20	1	61200113R	Crankcase				
21	1	3860096	Screw				
22	2	094000006R	Bearing				
23	1	61200006R	Gasket				
24	1	094000099R	Seal ring				
25	4	094000101R	Screw				
26	4	3833073	Washer				
27	2	3023008R	Pin				
28	1	3916005	Washer				
31	2	3960030	Screw				
32	1	3960069R	Screw				

8370 S - Starter Assy and clutch

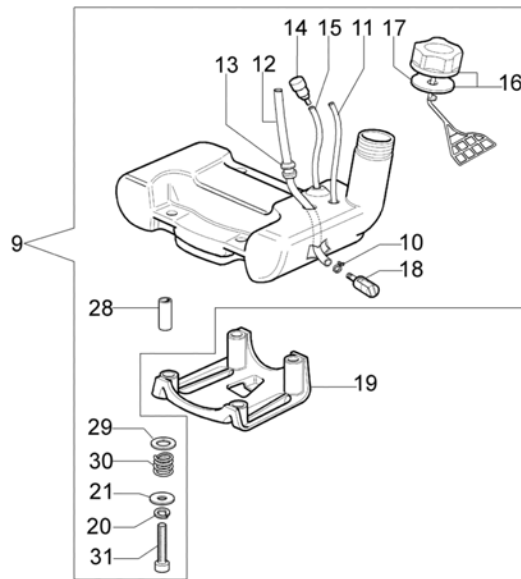
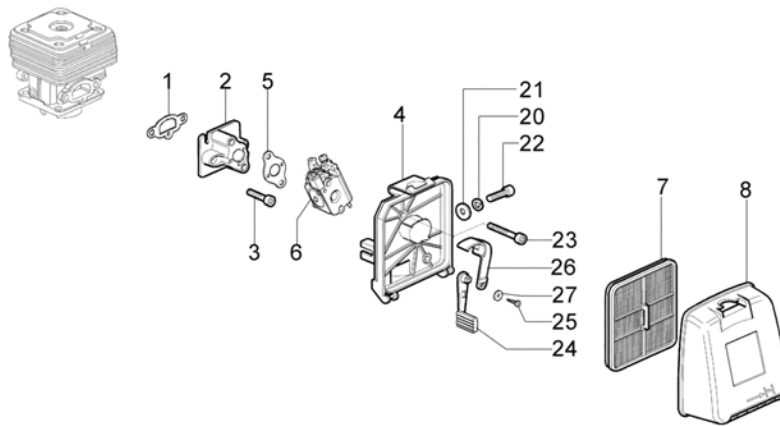


8370 S - Starter assy and clutch

Ref.Nu	Qty	Part number	Description	Validity from	Validity till	Notes	Bulletin
1	1	61200258R	Starter assy				
2	1	61200015R	Starter handle				
3	1	56520087R	Starter rope				
4	6	3801010R	Screw				
5	4	3916005R	Sealing washer				
6	1	004000132R	Spring				
7	1	56520038AR	Starter pulley				
8	1	3027005R	Ring				
9	1	56520039A	Shaft joint				
10	1	56520040A	Plate				
11	1	3918020	Washer				
12	1	61200012R	Spark plug cap				
13	1	61200062AR	Clutch driver				
14	1	61250015BR	Ignition coil				
15	1	61250047R	Cable				
16	2	3801013R	Screw				
17	2	3819006	Washer				
18	1	3912009	Nut				
19	1	3818011A	Washer				
20	1	61250014AR	Flywheel				
21	1	61200059R	Adaptor				
22	2	3801015	Screw				
23	1	61200060R	Adaptor				
24	2	3914003	Nut				
25	1	4161364	Bushing				
26	1	4161428	Sleeve				
27	1	3024015	Ring				
28	1	61200031AR	Cover				
29	1	3035019R	Bearing				
30	1	3025022R	Ring				
31	1	61200032R	Clutch drum				
32	1	4191027FR	Pin				
33	1	4191028R	Spring				
34	1	4191153AR	Clutch				
35	1	61200067R	Spring				
36	1	3064010	Washer				
37	1	3024007	Ring				
38	1	4191017A	Spring				
39	1	61200260	Starter kit assy				
40	1	4191016R	Pawl				

Ref.Nu	Qty	Part number	Description	Validity from	Validity till	Notes	Bulletin
41	1	61252002R	Clutch driver				
42	1	4191018BR	Starter pulley				
43	1	072700089	Bushing				

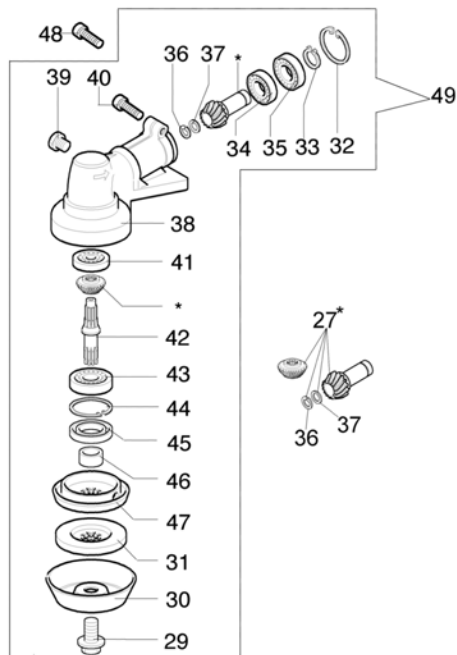
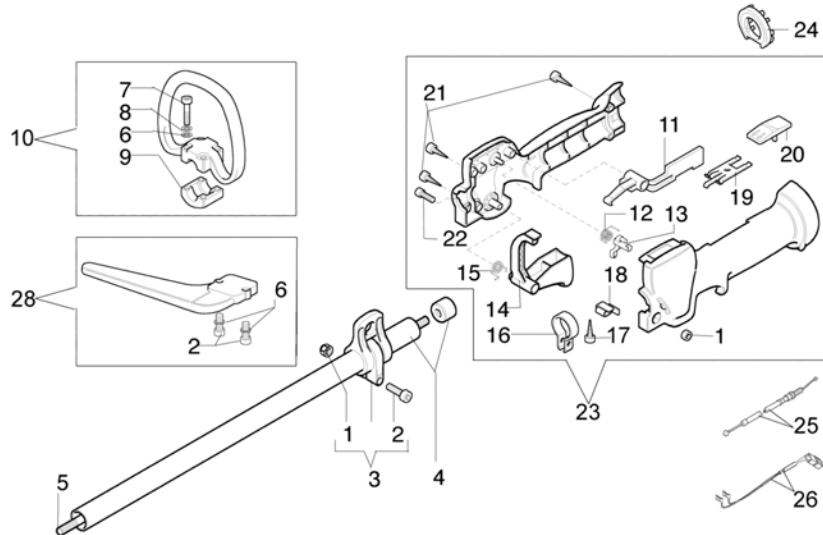
8370 S - Fuel tank and air filter



8370 S - Fuel tank and air filter

Ref.Nu	Qty	Part number	Description	Validity from	Validity till	Notes	Bulletin
1	1	61200019AR	Gasket				
2	1	61200198	Insulator				
3	2	3801015	Screw				
4	1	61202025R	Support				
5	1	61200021R	Gasket				
6	1	2318765AR	Carburetor WT-869A				
7	1	61200025AR	Air filter				
8	1	61200026R	Cover				
9	1	61200028AR	Complete fuel tank				
10	1	4098377	Band				
11	1	61200092AR	Tube				
12	1	61200093R	Tube				
13	1	4161211	Bush				
14	1	61070011A	Breather valve				
15	1	61200030AR	Tube				
16	1	61070079R	Tank cap				
17	1	61070006	Gasket				
18	1	094600450R	Fuel filter				
19	1	61200057R	Stand				
20	5	3819006	Washer				
21	5	3918005	Washer				
22	1	3801013R	Screw				
23	2	61052009B	Screw				
24	1	61200024R	Lever				
25	1	3960069R	Screw				
26	1	61200023R	Starter lever				
27	1	4120070	Washer				
28	4	61200128R	Insert				
29	4	3916008R	Washer				
30	1	61200129R	Spring				
31	4	3801016	Screw				

8370 S - Transmission



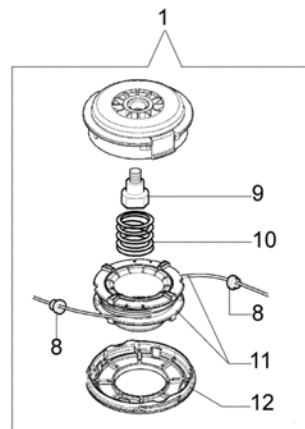
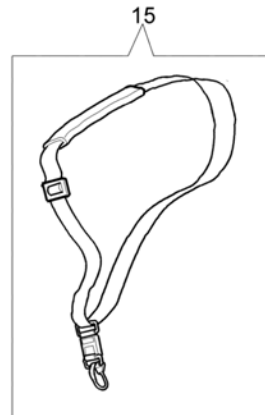
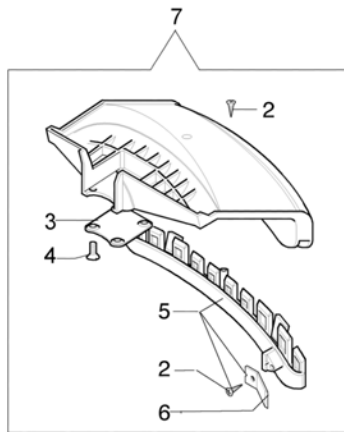
8370 S - Transmission



Ref.	Nu	Qty	Part number	Description	Validity from	Validity till	Notes	Bulletin
1		2	3914003	Nut				
2		2	3801015	Screw				
3		1	4161619R	Band d.26				
4		1	61202023R	Tube Ø26				
5		1	61170075R	Drive shaft				
6		6	3918010R	Washer				
7		4	3801017R	Screw				
8		4	3819006	Washer				
9		1	61010024R	Clamp				
10		1	61032012	Handle				
11		1	61040050A	Lever				
12		1	61040057R	Spring				
13		1	61040052	Pawl				
14		1	61040049	Throttle lever				
15		1	61040056R	Spring				
16		1	61010019	Band				
17		1	3960061AR	Screw				
18		1	61040054	Plate				
19		1	61040053	Plate				
20		1	61040051	Slide control				
21		3	3960067AR	Screw				
22		1	3801011	Screw				
23		1	61012006A	Handle				
24		1	4161319A	Grip-end				
25		1	61200045R	Throttle cable				
26		1	61200044R	Cable				
27		1	61040132	Gear set				
28		1	61042026	Guard				
29		1	61040074AR	Screw				
30		1	4100456R	Guard				
31		1	4179089R	Flange				
32		1	3025018	Ring				
33		1	3024010R	Ring				
34		1	3034008	Bearing				
35		1	3035230	Bearing				
36		1	3025009	Ring				
37		1	4138311A	Ring				
38		1	61050013R	Gear case				
39		1	61040071R	Cap				
40		1	3901016	Screw				

Ref.Nu	Qty	Part number	Description	Validity from	Validity till	Notes	Bulletin
41	1	3034218	Bearing				
42	1	61040106A	Pin				
43	1	3034012R	Bearing				
44	1	3025022R	Ring				
45	1	3050018R	Seal ring				
46	1	61040066	Spacer				
47	1	61040145R	Hub				
48	1	3901008	Screw				
49	1	61052030BR	Bevel gear Ø26				

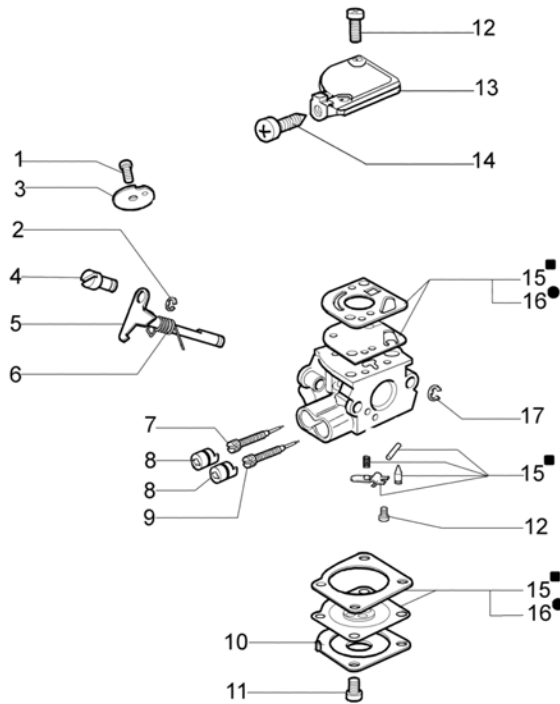
8370 S - Accessories



8370 S - Accessories

Ref.Nu	Qty	Part number	Description	Validity from	Validity till	Notes	Bulletin
1	1	4199039AR	Cpl. nylon head				
2	2	3960040R	Screw				
3	1	4174278	Plate				
4	2	3802004CR	Screw				
5	1	4174283A	Skirt w/blade				
6	1	4174275R	Blade				
7	1	4192048A	Guard				
8	1	4199005A	Bushing				
9	1	4199008B	Insert				
10	1	4199004	Spring				
11	1	4199042R	Spool Ø3				
12	1	4199035R	Cover				
13	1	4095673AR	Disk 3t				
14	1	61052031	Tool kit				
15	1	4160463AR	Single harness				
16	1	61212015	Labels kit				

8370 S - Carburatore Zama till 30/09/07



- 16 ● KIT MEMBRANE & GUARNIZIONI
DIAPHRAGM & GASKET SET
- 15 ■ KIT RIPARAZIONE
REPAIR KIT

8370 S - Carburetor Zama till 30/09/07

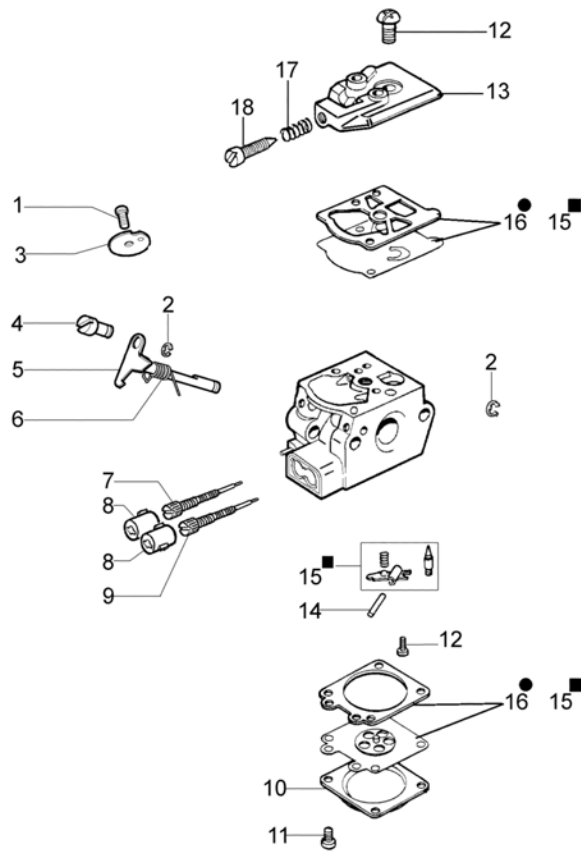
Ref.Nu	Qty	Part number	Description	Validity from	Validity till	Notes	Bulletin
1	1	2318388	Screw				
2	1	2318387	Ring				
3	1	2318872	Starter valve				
4	1	2318412	Hook				
5	1	2318689	Shaft				
6	1	2318528	Spring				
7	1	2318696	Screw H				
8	2	2318687	Caps-lock				
9	1	2318697	Screw L				
10	1	2318880	Cover				
11	2	2318522	Screw				
12	2	2320053	Screw				
13	1	2320052	Cover				
14	1	2318876	Screw				
15	1	2318886	Repair kit				
16	1	2318885	Diaphragm and gasket set				
17	1	2318535	Ring				

8370 S - Carburetor Walbro from 01/10/07



Walbro mod. WT-869

compl. p.n. 2318765R



15 ■ KIT RIPARAZIONE
REPAIR KIT

16 ● KIT MEMBRANE & GUARNIZIONI
DIAPHRAGM & GASKET SET

8370 S - Carburetor Walbro from 01/10/07

Ref.Nu	Qty	Part number	Description	Validity from	Validity till	Notes	Bulletin
1	1	50010141	Screw				
2	2	095000164	Ring				
3	1	072700211	Shutter				
4	1	2318211	Pin				
5	1	2318737	Shaft				
6	1	072700347	Spring				
7	1	2318837	Adjust. screw				
8	2	2318687	Caps-lock				
9	1	2318631	Adjust. screw				
10	1	2318191	Cover				
11	4	035000162	Screw				
12	1	003300202	Screw				
13	1	375100087	Cover				
14	1	003300201	Spindle				
15	1	094600209	Repair kit				
16	1	094600210	Kit guarn				
17	1	094600148	Spring				
18	1	074000240	Adjust.screw				